

# The Bike-Shell™ solution

## Models 201-202



201



202

Standard color is tan

- Models 201 & 202 are designed for the economically motivated buyer, using FRP materials with OSB core.
- An exterior of fiberglass reinforced plastic is highly resistant to impact and scratching.
- The outer finish never needs painting, will not rust or corrode and is extremely resistant to most stains & chemicals.
- Completely internal standard key-lock mechanism resists tampering (System for user provided padlock is also available).
- **Motorcycle Lockers #201M.** Contact for info.
- **Wheelchair/Storage Lockers #201C.** Contact for info.
- Call for more information

### Specifications:

#### Structure and finish

Walls, tops, doors and door frames made of colored fiberglass-reinforced plastic with OSB core. Solid color never needs painting, is graffiti resistant and resists impact and scratches. Interior walls of OSB sealed two side.

#### Frame

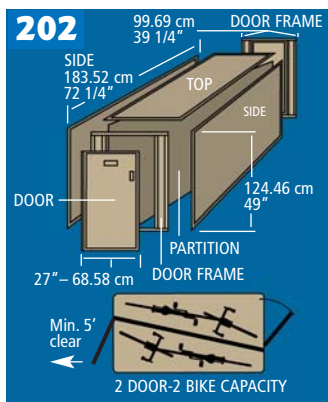
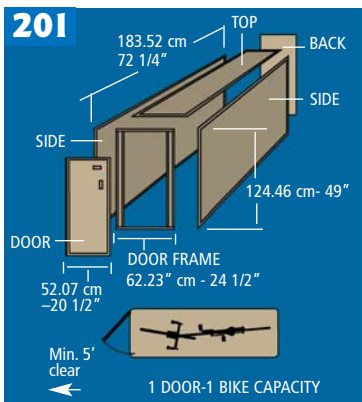
Walls, tops and door frames shall lock together utilizing custom extrusion manufactured from 6063-T5, commercial anodized aluminum.

#### Locks and locking hardware

Fort Lock 7 pin tumbler Pop Out "T" handle locks with three keys and removable lock cylinders. Internal locking hardware consists of chromolly steel cams controlling an extruded aluminum locking bar which engages the door frame over 3 foot span. High quality custom extruded continuous door hinge has no hinge pins to wear or rust. All fastener and assembly hardware is zinc plated or better and internal to prevent tampering.

#### Optional features:

- Heavy Duty pad lock system that will accommodate high security pad locks.
- See Options page for more features.



# Bike-Shell™ Options

AVAILABLE FOR ALL MODELS

## HARDWARE AND ACCESSORIES



**PN# 010**  
Heavy Duty pad lock system that will accommodate high security pad locks (padlocks not included).



**PN# 013**  
Coin and Token operated locks for collection or return.



**Numeric Keypad**  
Provides authorization with a PIN code of variable length.



**Magstripe Card**  
Secure confirmations with existing mag stripe cards, including credit cards.



**PN# 012**  
Master keyed "T" handle locks with three user keys and removable lock cylinders.



**PN# 015**  
MEDECO™ Stainless Steel high security T-Handle lock.



**iButton®**  
Simply touch the iButton to its receptacle. Different styles for various applications.



**Prox Reader**  
Just wave the card and enter.